

**the patscan bizarre patent calendar 2004**



**Arthur P. Pendrik** must be considered as the father of the wacky patent as a literarily genre. After retiring from the UK Patent Office as a patent examiner, he filed dozens of wild and weird patents in the 1960s and 1970s from intelligent golf balls to irrigating deserts with giant arctic ice balls. One of his most famous was GB1426698 Photon Push-Pull Radiation Detector for Use In Chromatically Selective Cat Flap Control And 1000 Megaton Earth-Orbital Peace-Keeping Bomb including conversations with his cat Ginger. A website of his inventions is available at <http://www.patent.freereserve.co.uk /pedrick.html>



Never be afraid to try something new. Remember, amateurs built the ark. Professionals built the Titanic.

—Anonymous



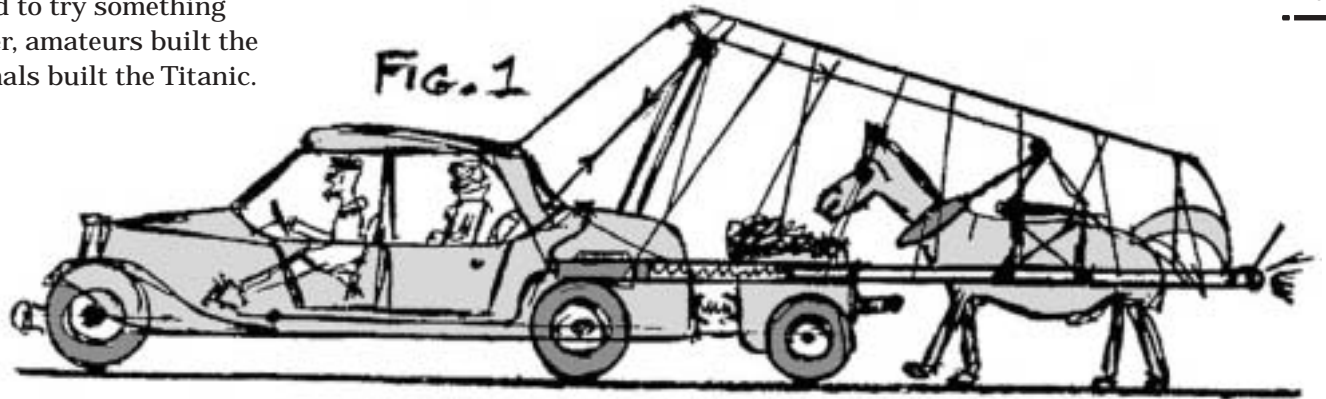
## PROPELLING AUTOMOBILES WITHOUT USING PETROL OR GASOLINE

Patent Number GB1405575  
 Publication date 1975-09-10  
 Inventor(s) Pendrick, Arthur Paul

An automobile is propelled by a horse pushing from behind. A U-shaped member is attached by its free ends to the automobile, the automobile pulling a trailer in which food for the horse can be placed. The horse is connected to the U-shaped member in such a way that it can only reach the food by pushing against the U-shaped member and so propelling the automobile. The accelerator of the automobile can be connected to pneumatic cylinders in the ends of the U-shaped member to influence the thrust of the horse. The ignition switch can

also be arranged to give a mild shock to the posterior of the horse when it is switched on. The brake pedal maybe linked by cables to halter around the neck of the horse.

The ignition switch can also be arranged to give a mild electric shock to the posterior of the horse when it is switched on. The brake pedal maybe linked by cables to halter around the neck of the horse. In a modification, the horse is placed inside two rotating assemblies in the manner of a treadmill. Each assembly has two wheels one inside the other, with a free-wheel arrangement between the two to enable the horse to rest, e.g., when the automobile is running downhill.



O1	S	M	T	W	Th	F	S
					1	2	3
				New Year's Day			
4	5	6	7	8	9	10	
		Rastafarian Christmas Eve	Buddhist New Year				
11	12	13	14	15	16	17	
18	19	20	21	22	23	24	
	Martin Luther King Jr Day			Chinese New Year [Monkey]			
25	26	27	28	29	30	31	

//

I went to a job interview the other day. The guy asked if I had any questions. I said yes, just one, if you're in a car traveling at the speed of light and you turn your headlights on, does anything happen? He said he couldn't answer that. I told him sorry, but I couldn't work for him then.

— Steven Wright

//

## Tischfeuerzeug (A ss with ears) (Gebrauchsmuster)

Patent Number DE29601142U1

Publication Date 1996-10-02

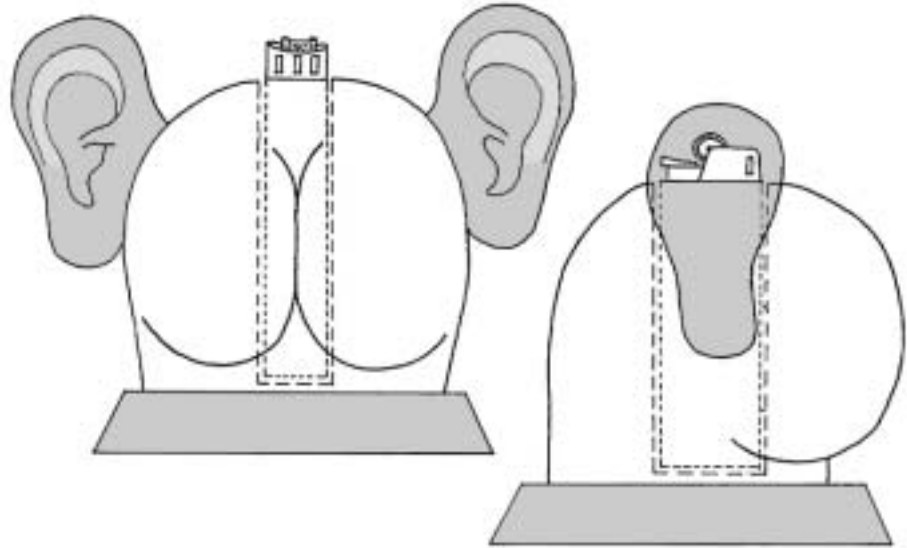
Inventor(s) Runge, Peter

### Decorative cigarette lighter for table.

Just what are Gebrauchsmuster? The term in Germany and Austria designates Utility Models, also known as: Brevet de courte durée/Octrooi van korte duur (Belgium), Brugsmødel (Denmark), Modelo de utilidad (Spain), Hyödyllisyysmalli/Nyttighetsmodell (Finland), Certificat d'utilité (France), Short-term patent (Ireland), Brevetto per modelli di utilità (Italy), Zesjarig octrooi (Netherlands) or Modelo de utilidade

(Portugal). Also called "petty patents" or "petite patents" they are also widespread in South America and Asia.

Advantages of utility models are low cost and quick registration since there is no examination for novelty due to a lower standard for inventiveness and industrial applicability. An opposition process allows utility models to be invalidated. The term is only for 4–10 years, useful for temporary protection of a product while the patent is pending. They are not the same as Design Patents, which cover only the decorative features of a product.



02	S	M	T	W	Th	F	S
	1	2	3	4	5	6	7
	Groundhog Day Eid-Al-Adha						
	8	9	10	11	12	13	14
						Valentine's Day	
	15	16	17	18	19	20	21
	President's Day						
	22	23	24	25	26	27	28
		Mardi Gras	Ash Wednesday				
	29						

# PATSCAN

www.patscan.ca

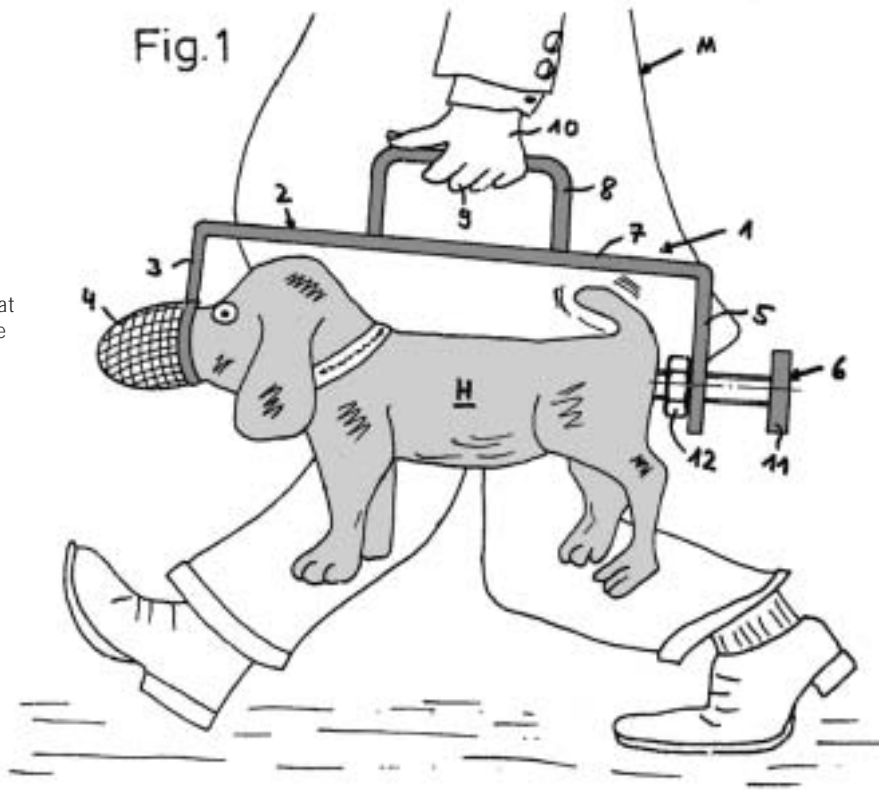
Trage, insbesondere zum Transport lebender Tiere  
(Carrier for living animals)  
(Gebrauchsmuster)

Patent Number DE000820481U1

Publication Date 1983-01-17

Inventor(s) Burk, Helga

The apparatus is a novel carrier for living animals, preferably female dogs, which consists of a frame provided with a muzzle at one end to accommodate the dog's snout and with an adjustable screw that "favorably" fits into the animal's back opening. The screw can be adjusted in length.



march 2004

//

Outside of a dog, a book is a man's best friend. Inside of a dog, it's too dark to read. — *Groucho Marx*

You can say any foolish thing to a dog, and the dog will give you this look that says, "My God, you're right! I never would've thought of that!" — *Dave Barry*

//

O3	S	M	T	W	Th	F	S
		1	2	3	4	5	6
	7	8	9	10	11	12	13
Purim		International Women's Day					
	14	15	16	17	18	19	20
			St Patrick's Day			Vernal Equinox	
	21	22	23	24	25	26	27
Baha'i New Year							
	28	29	30	31			

# PATSCAN

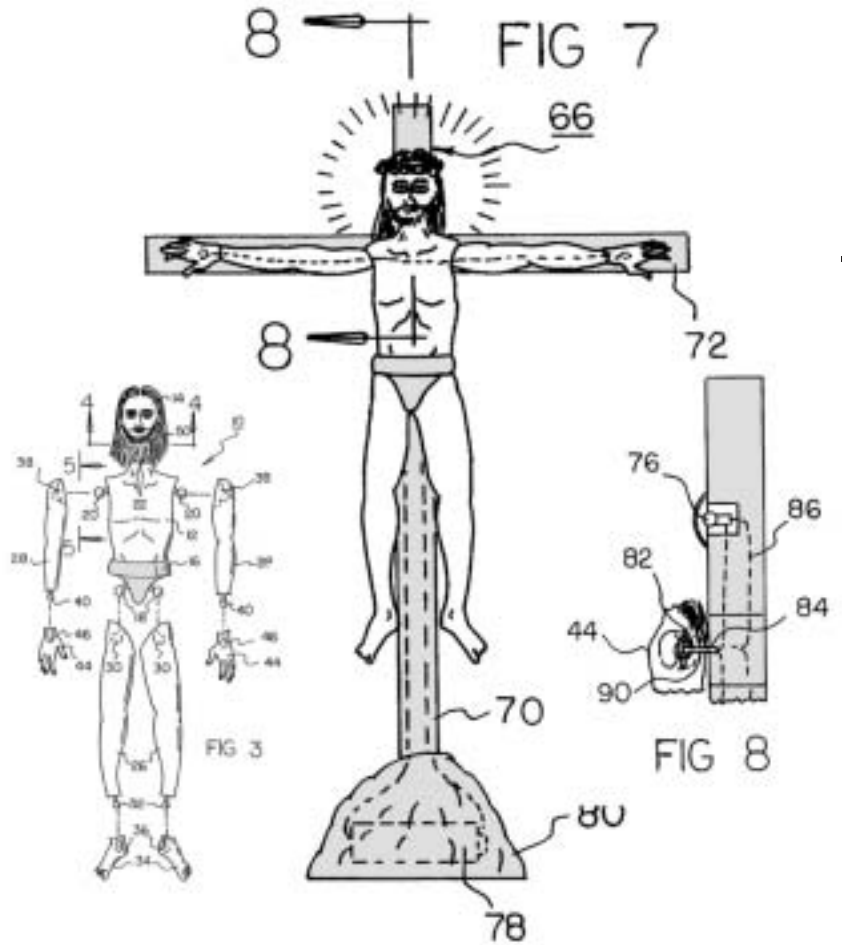
www.patscan.ca

Dolls formed in the likeness of the Lord Jesus with a movable head and extremities

Patent Number US5456625  
 Publication date 1995-10-10  
 Inventor(s) Dumond, Linda M.S. [US]

A doll formed in the likeness of the Lord Jesus with a movable head and extremities comprised of a torso section including a loin cloth molded into its lower portion and a pair of movable leg sections. The lower ends of the leg sections have a pair of feet sections secured thereto. A pair of arm sections are secured to the torso section. A pair of hand sections are secured to the lower ends of the arm sections. A head section is secured to the upper end of the torso section.

The doll is provided with electrically conductive nails which when inserted through apertures in the hands of the doll, mount the doll to a provided cross and close an electrical circuit which illuminates the cross.



april 2004

//

I would have made a good Pope.

—Richard M. Nixon

//

O4	S	M	T	W	Th	F	S
					1	2	3
	4	5	6	7	8	9	10
Daylight Savings begins		Passover begins				Good Friday	
11		12	13	14	15	16	17
Easter Sunday		Easter Monday					
18		19	20	21	22	23	24
			Administrative Assistant's Day	Earth Day			
25		26	27	28	29	30	
Anzac Day							

# PATSCAN

www.patscan.ca

## Creatrix image

Patent Number US5203708

Publication date 1993-04-20

Inventor(s) Bird, Nancy A. [US]

A multi-piece image of female creation that can be used as toy, archetypal image, educational device or therapeutic aid. The image is made up of a human-like female form together with forms which depict the non-human elements of creation of a particular creation myth.

The female form may comprise a rigid statue, with a womb-like cavity in its abdomen, with an opening thereto between the legs of the female form. Alternatively, the female form may be a soft figure such as stuffed doll, with an expandable torso and cavity achieved, for example, by pleating or gathering.

The female form may be provided with pre-made forms of the elements of the creation, or with material and instructions or patterns for these forms.



may 2004

//

God is a comedian playing to an audience too afraid to laugh. — Voltaire

//

05	S	M	T	W	Th	F	S
							1
2		3	4	5	6	7	8
Prophet Muhammad's birthday							
9		10	11	12	13	14	15
Mother's Day						International Family Day	
16		17	18	19	20	21	22
23	Victoria Day	24	25	26	27	28	29
30		31					
	Memorial Day [US]						

# PATSCAN

www.patscan.ca

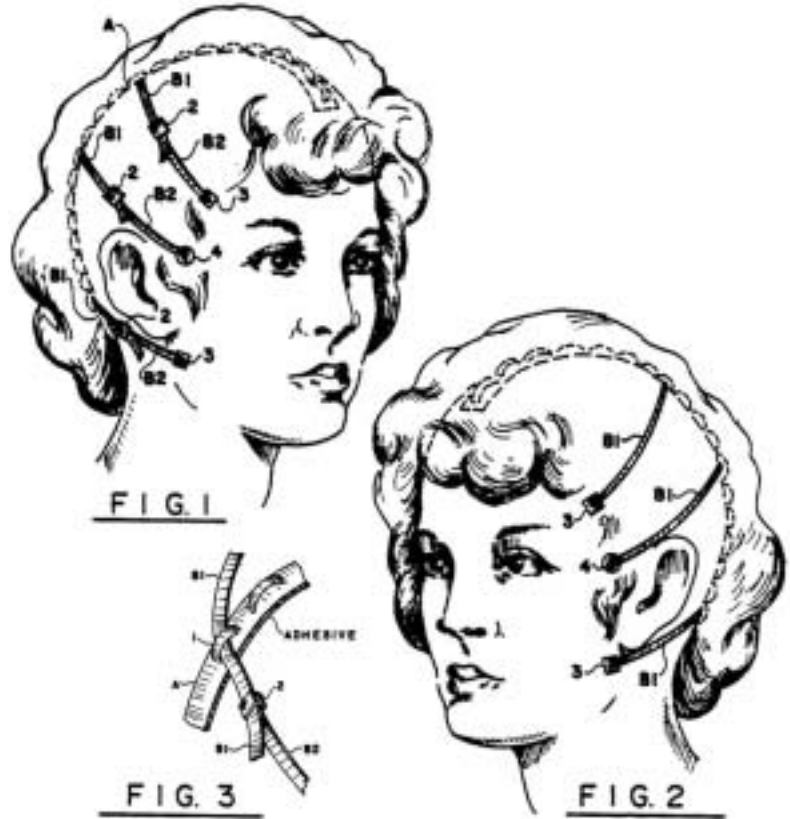
## Instant face lift

Patent Number US4995379

Publication Date 1991-02-26

Inventor(s) Brooks, Joan

A device to provide a face lift without surgery comprising one member securely attached to a user's head and a second member slidably attached to the first member with the second member have two ends each end being attachable to the face or other part of the head of the wearer with tension adjusting means as a part of the second member.



//

There is no excellent beauty that hath not some strangeness in the proportion.

— Sir Francis Bacon, "Of Beauty"

I'm tired of all this nonsense about beauty being only skin deep. That's deep enough.

What do you want, an adorable pancreas?

— Jean Kerr

//

06	S	M	T	W	Th	F	S
			1	2	3	4	5
6	7	8	9	10	11	12	
13	14	15	16	17	18	19	
	Flag Day						
20	21	22	23	24	25	26	
Father's Day	Summer Solstice			St Jean Baptiste Day			
27	28	29	30				

june 2004

# PATSCAN

www.patscan.ca

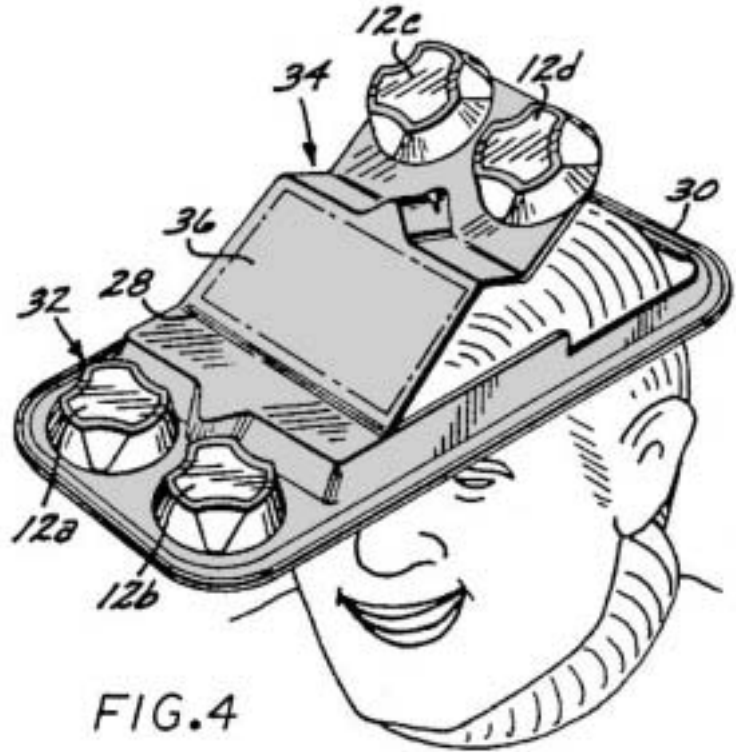
## Combination beverage tray and sun visor

Patent Number US5094343

Publication date 1992-03-10

Inventor(s) Brown, Harry [US]; Primack, Andrew [US]

A combination beverage tray and sun visor comprised of a beverage tray having raised side walls and including a pre-formed perforation along a portion of the junction of the base of said tray and the side walls wherein the base may be separated from the sidewalls thereby forming an opening which allows the beverage tray to be converted into a sun visor and worn upon one's head.



//

We all have mental problems; it's just that some of us choose to show them.

—Nathanael Huddleson

Success is the ability to go from one failure to another with no loss of enthusiasm.

—Sir Winston Churchill

//

O7	S	M	T	W	Th	F	S
					1	2	3
				Canada Day			
	4	5	6	7	8	9	10
Independence Day							
	11	12	13	14	15	16	17
	18	19	20	21	22	23	24
	25	26	27	28	29	30	31

july 2004

# PATSCAN

www.patscan.ca

## Mountable printable placard with headband

Patent Number US6049912  
 Publication Date 2000-04-18  
 Inventor(s) Linehan, Timothy J.

The present invention discloses a resilient headband arcuate in shape for being mounted on the head of the user. The headband is equipped with a longitudinal slotted member for holding a placard therein, in a generally upright standing manner which placard can have written thereon on one side a thought balloon and on the opposite side a speech balloon. The slotted member is equipped with teeth-like holding appendages which grasp the placard and secure it to the slotted member.



//  
 Eagles may soar but weasels don't get sucked into jet engines. — *Bruce Graham*

A positive attitude may not solve all your problems, but it will annoy enough people to make it worth the effort. — *Herm Albright*

//

august 2004

08	S	M	T	W	Th	F	S
	1	2	3	4	5	6	7
		Civic holiday [CN]					
	8	9	10	11	12	13	14
	15	16	17	18	19	20	21
	22	23	24	25	26	27	28
	29	30	31				



If everything is under control,  
you are going too slow.

— Mario Andretti

When in danger or in doubt, run  
in circles, scream and shout.

— Anon



## Vehicular impact signaling device

Patent Number US5979328  
Publication date 1999-11-09  
Inventor(s) Rodrigues, Harry Rudolph [US]

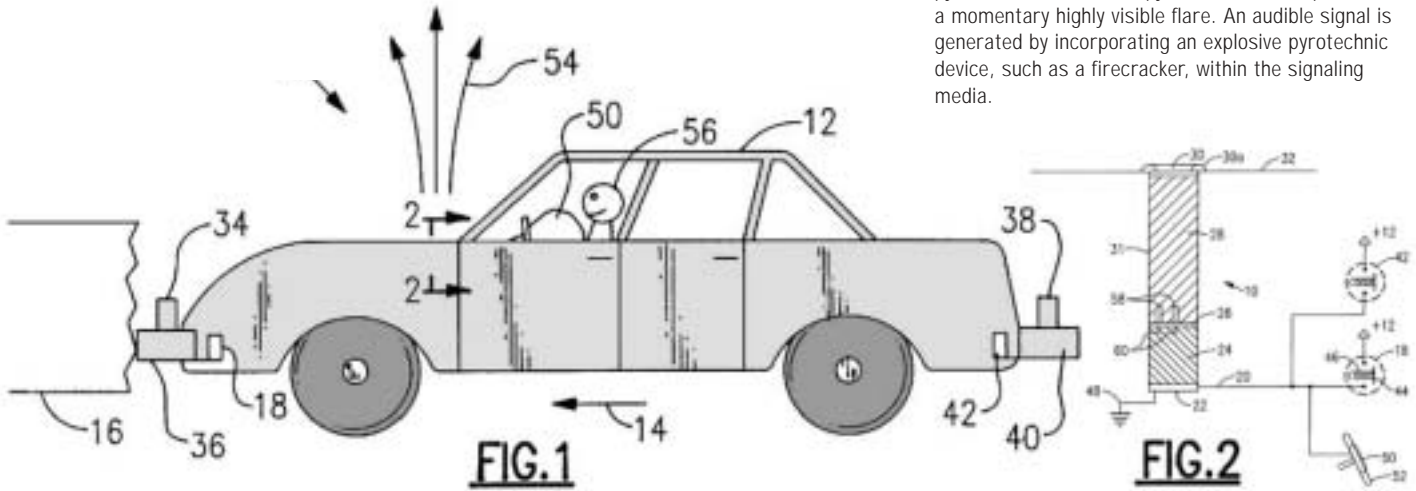
An apparatus for the deployment of a visible plume to alert other motorists that a proximate motor vehicle has been involved in a collision is described as having a tube which is open at one end disposed at the top and closed at a distal end. The distal end houses an activation device that is used to detonate an explosive charge in response to the detection of an output signal.

The output signal is generated by a sensor subsequent to the motor vehicle experiencing an impact of

sufficient magnitude. Both the sensor and the output signal are compatible with current technologies used to detect impacts which result in the deployment of air bags, and accordingly the device may rely upon these systems as may already be installed in the motor vehicle.

The explosive charge expels a signaling media above the motor vehicle in a plume above the motor vehicle to visually alert other motorists that a collision has occurred. The plume rises to a preferred height of approximately 60 feet, making it readily visible to the other motorists in the area.

The signaling media includes a powder, liquid, or pyrotechnic device. The pyrotechnic device produces a momentary highly visible flare. An audible signal is generated by incorporating an explosive pyrotechnic device, such as a firecracker, within the signaling media.



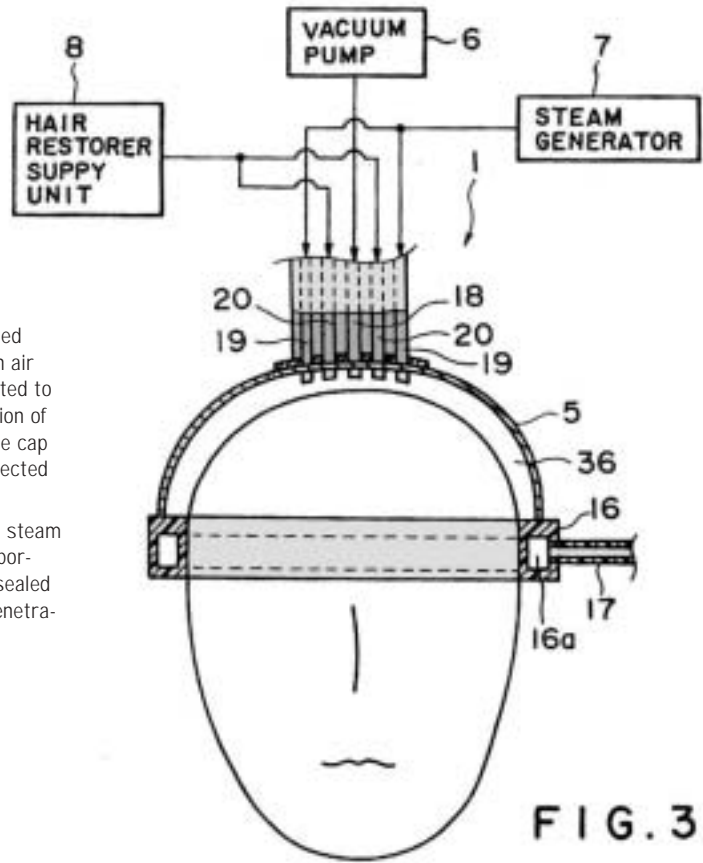
09	S	M	T	W	Th	F	S
				1	2	3	4
5	6	7	8	9	10	11	12
12	Labour Day	13	14	15	16	17	18
19	20	21	Rosh Hashanah begins	22	23	24	25
26	27	28	Autumn Equinox	29	30	Yom Kippur begins	

## Hair restoring method and apparatus for carrying out the same

Patent Number US6024100  
 Publication date 2000-02-15  
 Inventor(s) Fukuyama, Koki [JP]

A hair restoring apparatus comprises a helmet-like cap having a sealing ring formed around a brim portion into which compressed air is supplied, and provided with an air inlet/outlet, steam inlets and hair restorer inlets. A pneumatic machine is connected to the air inlet/outlet of the cap and to the sealing ring formed around the brim portion of the cap by way of pipes, a steam generator is connected to the steam inlets of the cap by way of pipes, and a hair restorer supply unit for storing a hair restorer is connected to the hair restorer inlets of the cap by way of pipes.

The cap is put on the head to form a sealed space between the cap and the head, steam is jetted into the sealed space after evacuating the latter to expand and to clean portions of the scalp around hair roots, a hair restorer is jetted into the evacuated, sealed space, and then compressed air is jetted into the sealed space to promote the penetration of the hair restorer into the portions of the scalp around hair roots.



Never sharpen a boomerang. — *Anon*

Both optimists and pessimists contribute to our society.  
 The optimist invents the airplane and the pessimist the parachute. — *Gil Stern*



10	S	M	T	W	Th	F	S
						1	2
3		4	5	6	7	8	9
10		11	12	13	14	15	16
	Columbus Day [US] Thanksgiving Day [CN]				Ramadan begins		
17		18	19	20	21	22	23
24		25	26	27	28	29	30
United Nations Day Mother-in-law's Day 31 Dia de los Muertos Halloween							Daylight savings ends

# PATSCAN

www.patscan.ca

## Insektenvernichtungsgerät (Insect destruction device) (Gebrauchsmuster)

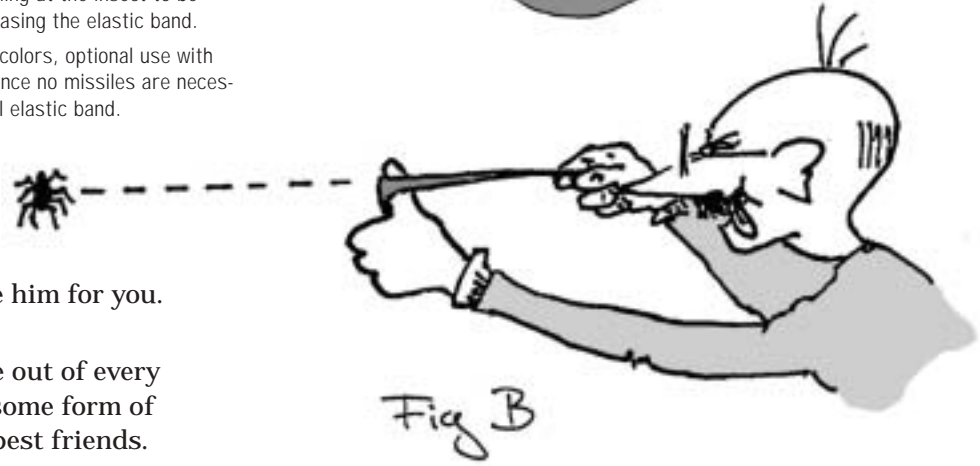
Patent Number (Gebrauchsmuster) DE29608733U1

Publication Date 1906-12-19

Inventor(s) Sprengiger, Jurgen

An Insect destruction device in the form of miniature hand operated slingshot. The apparatus consists of an elastic band that can be used as shown in the drawing by tensioning the band with the thumb, aiming at the insect to be destroyed and then hitting the insect with it by releasing the elastic band.

Additional features include elastics tinted in bright colors, optional use with either the right or the left hand and convenience, since no missiles are necessary given that the insect is smitten with the actual elastic band.



//

Show me a sane man and I will cure him for you.  
— C.G. Jung

The statistics on sanity are that one out of every four Americans are suffering from some form of mental illness. Think of your three best friends. If they're okay, then it's you. — Rita Mae Brown

//

november 2004

11	S	M	T	W	Th	F	S
		1	2	3	4	5	6
	All Saints Day						
7	8	9	10	11	12	13	
				Remembrance Day	Diwali		
14	15	16	17	18	19	20	
Eid-al-Fitr Ramadan Ends							
21	22	23	24	25	26	27	
				Thanksgiving Day [US]			
28	29	30					
Buy Nothing Day							



## Method and apparatus for making a drink hop along a bar or counter

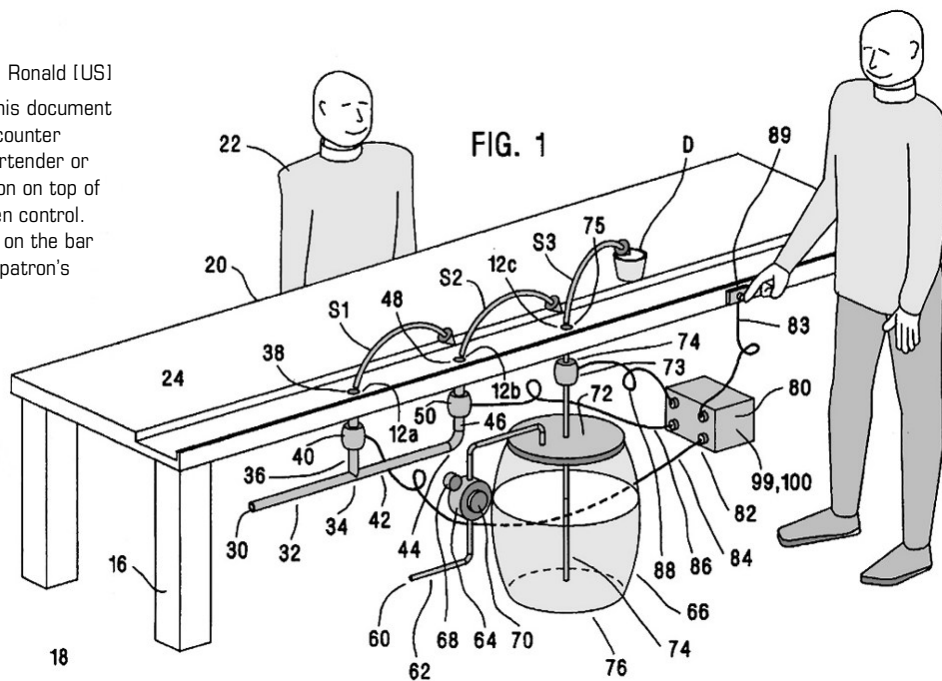
Patent Number US5678617  
 Publication date 1997-10-21  
 Inventor(s) Kukendal, Robert [US]; Deichmann, Ronald [US]

This invention involves a Jumping Drink Bar Device. This document discloses a novelty device for installation in a bar or counter whereby when a patron orders a specific drink the bartender or host places a drinking glass upon a designated location on top of the bar and, unknown to the patron, activates a hidden control. The drink then seems to hop from some remote spot on the bar and take one or more leaps, ultimately landing in the patron's glass.

“ Electricity is actually made up of extremely tiny particles called electrons, that you cannot see with the naked eye unless you have been drinking.

—Dave Barry, "The Taming of the Screw"

”



01	S	M	T	W	Th	F	S
						1	
						New Years Day	
2	3	4	5	6	7	8	
					Orthodox Christmas		
9	10	11	12	13	14	15	
					Makar Sankranti [Hindu]		
16	17	18	19	20	21	22	
Martin Luther King Jr Day					Eid-al-Adha, Muslim		
23	24	25	26	27	28	29	
30	31						